

UNIT HEATER SCHEDULE (HOT WATER)													
SYM.	TYPE	CFM	CHAR.	H.P.	M.B.H.	E.A.T.	E.W.T.	T.D.	GPM	PIPE SIZE	VALVE	WEIGHT	REMARKS
UH	VERTICAL	1540	120/160	1/6	44	60	180	.547'	5.9	3/4"	3/4"	46 LB	DUNHAM BUSH MODEL COTBC-AAATE MOUNT 16" HIGH

GRILLE AND REGISTER SCHEDULE									
SYM.	SIZE	THROW	CFM	CONSTR.	FINISH	BRANCH DUCT	F.D.	O.B.	REMARKS
GR-1	32 x 32	N.A.	2000	ALUM.	COLOR BY ARCHITECT	12" ROUND	NO	NO	AMERICAN WARMING LE-31 WITH DRAINABLE BLADES & BIRD SCREEN. SEE DETAIL THIS SHEET FOR LOUVER DRAINAGE
PH-1	32x32x18.5H	N.A.	2000	ALUM.	COLOR BY ARCHITECT	14"x14"	NO	NO	PENNBARRY MODEL PH 'PENHOUSE' WITH BIRD SCREEN. MOUNT ON ROOF CURB. PROVIDE AMERICAN WARMING VC-140 MOTORIZED DAMPER IN DUCT AND INTERLOCK WITH EF-1 & EF-2.

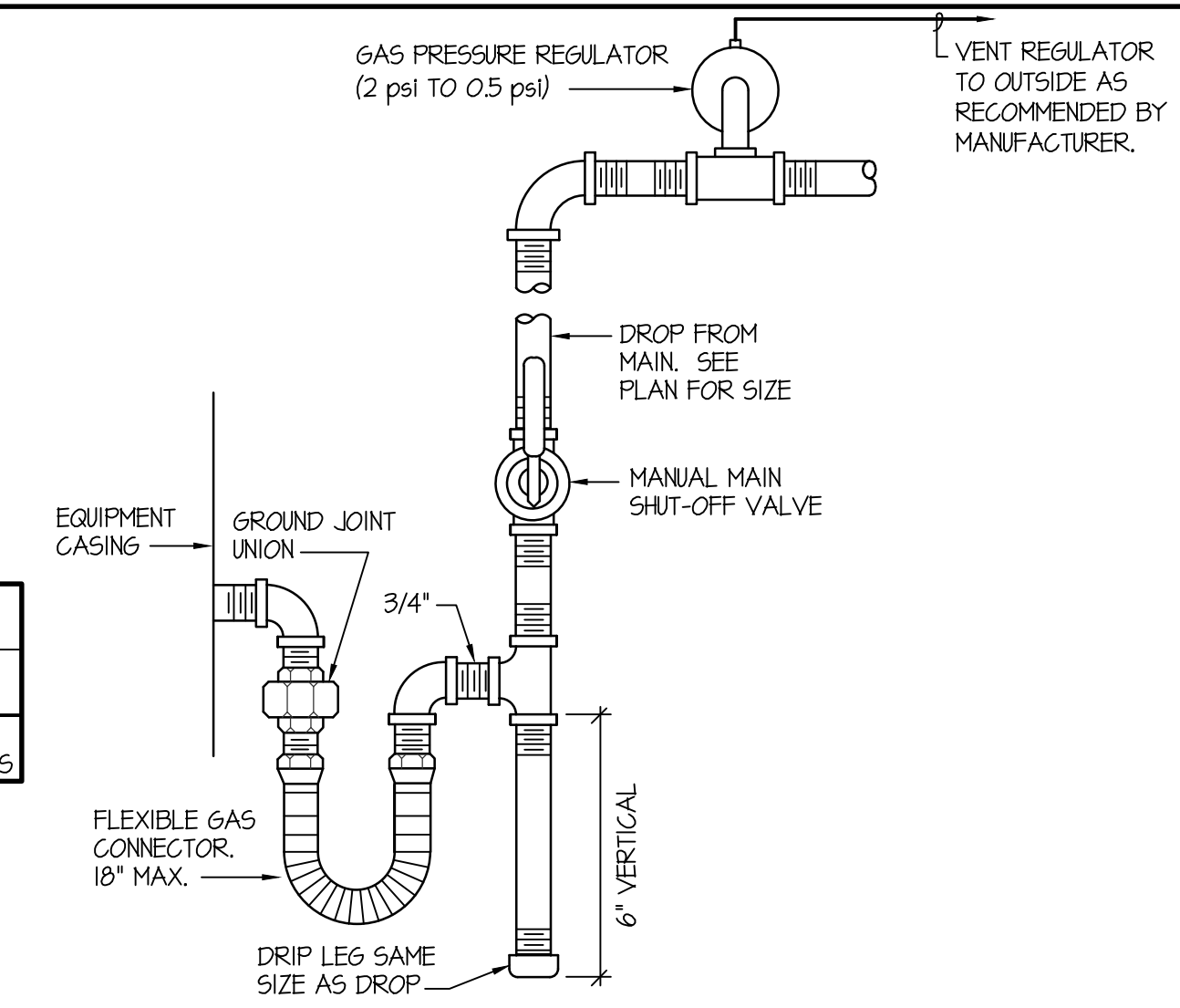
CIRCULATING PUMP SCHEDULE							
SYM.	TYPE	G.P.M.	HEAD	H.P.	CHAR.	RPM	MANUFACTURER & MODEL NO.
CP	IN-LINE	35.4	35'	5	120/60/1	1150	B46 e-80 SERIES MODEL 2x2x1.5C

GRILLE AND REGISTER SCHEDULE									
SYM.	TYPE	SIZE	CFM RANGE	THROW PATTERN	CONSTR.	FINISH	BALANCING DAMPER	FIRE DAMPER	REMARKS
SR-1 CFM	SIDEWALL	30x12	800		STEEL	WHITE	NA	NA	PRICE MODEL 520 D

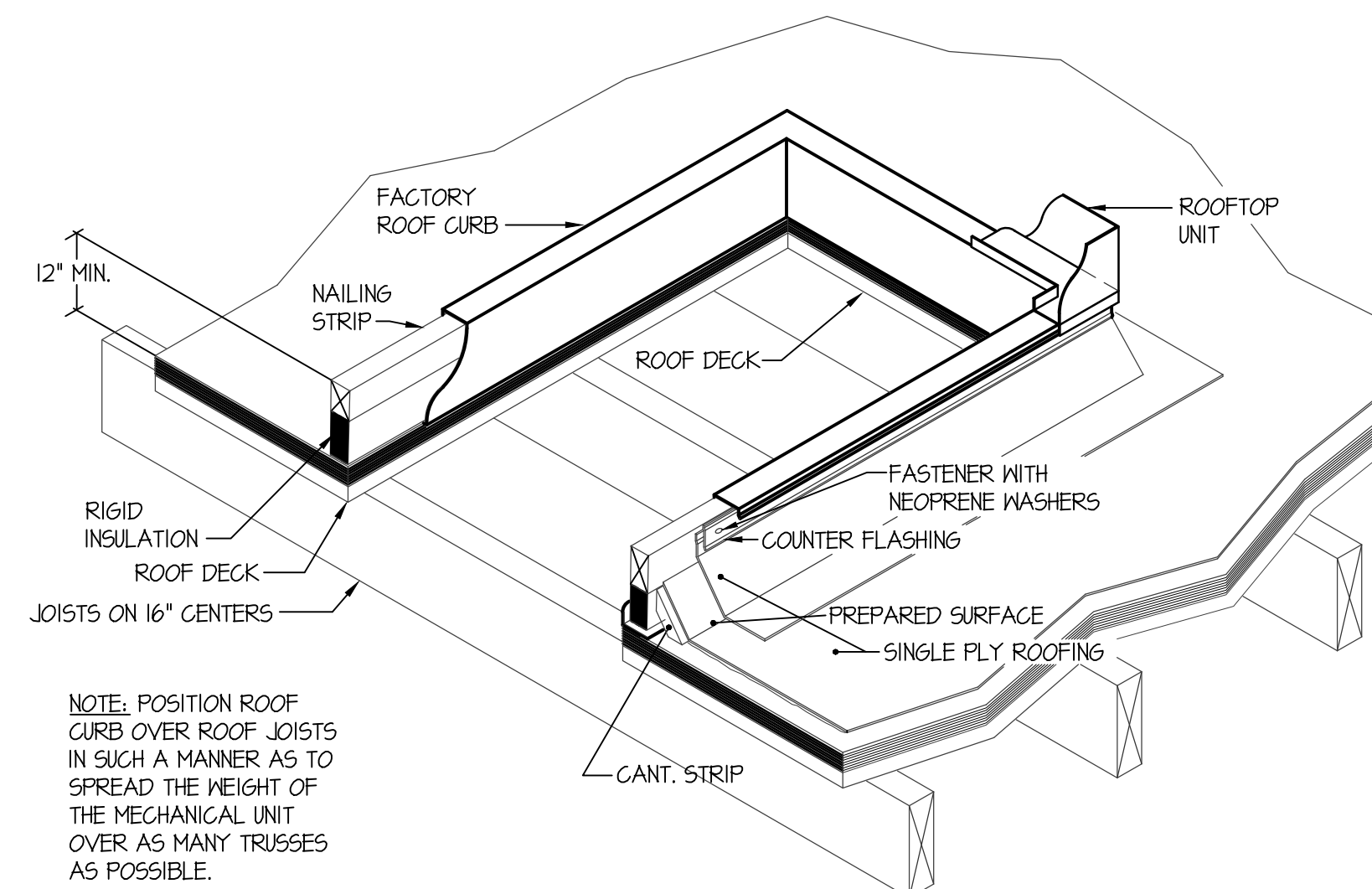
EXHAUST FAN SCHEDULE								
SYM.	TYPE	G.F.M.	S.P.E.	WATTS	CHAR.	R.P.M.	CONTROL	REMARKS
EF	IN-LINE	3,200	3"	2.7 HP	208/60/3	2400	WALL STARTER	GAR MON CM-255L INTERLOCK WITH MOTORIZED DAMPER
EF	ROOF MOUNTED	3248	.25	.88 H.P.	120/60/1	1750	WALL	TWIN CITY DCRU-140BE CENTRIFUGAL ALUMINUM ROOF CURB.

ELECTRIC HEATER SCHEDULE							
SYM.	TYPE	BTU	KW	CHAR.	CONTROL	REMARKS	
EH	WALL MOUNTED	2254	.75	208/60/1	INTEGRAL T-STAT	QMARK TYPE GRAIO24-T2 COMPLETE WITH GRASH SURFACE MOUNTING FRAME.	

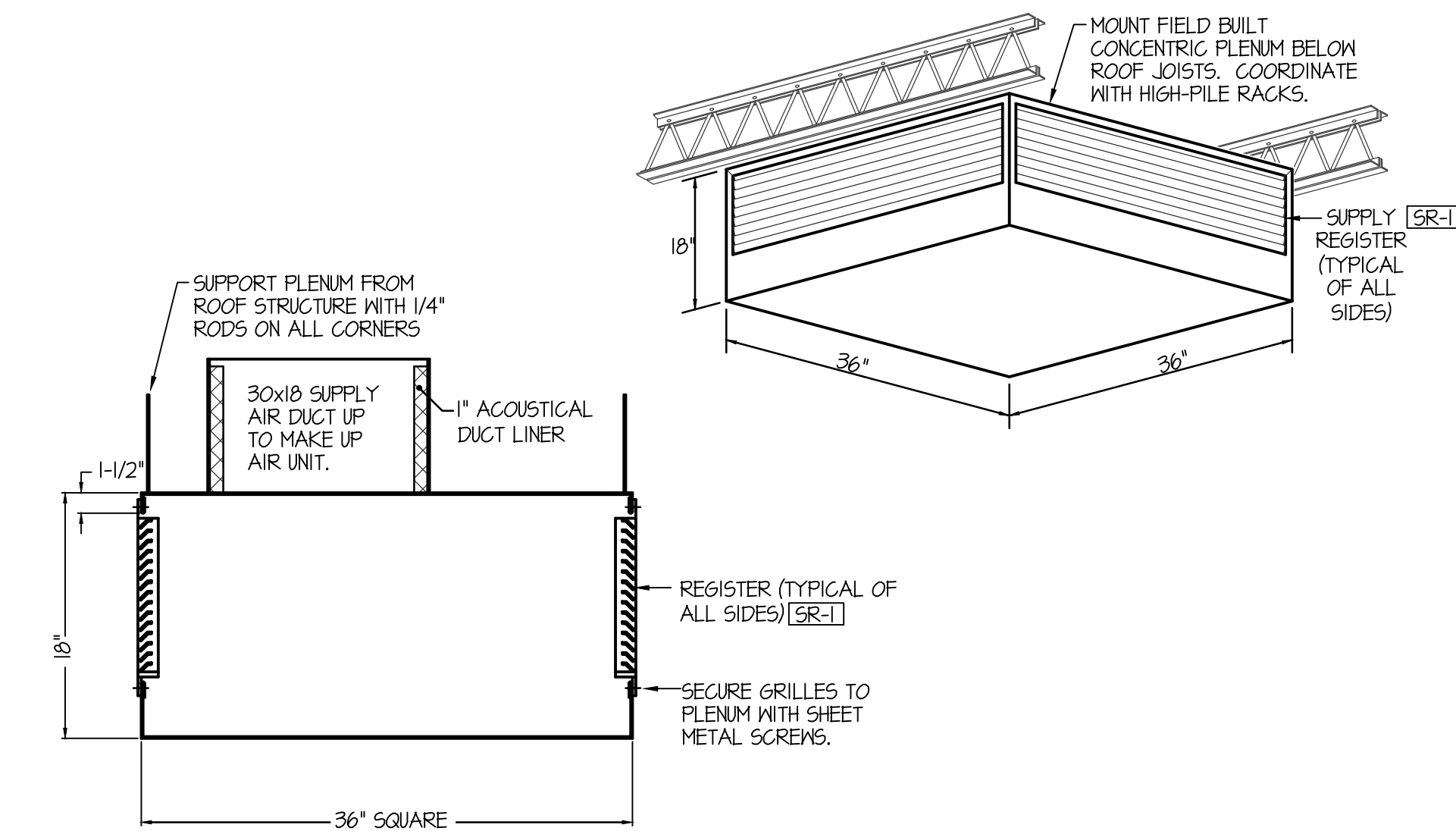
MAKE UP AIR UNIT														
SYM.	CFM	SP _e	BLOWER HP.	RPM	CHAR.	MCA	WEIGHT	GAS CONN.	DUCT CONN.	HEATING				REMARKS
										BTU IN	BTU OUT	EAT	LAT	
MAU	3200	.25	2	640	208/60/1	13	100#	3/4"	18x34	300,000	243,000	0	60	REZTOR MODEL RDH 300 WITH ROOF CURB & OPTIONAL DOWNTURN. SEE SPECS FOR CONTROLS



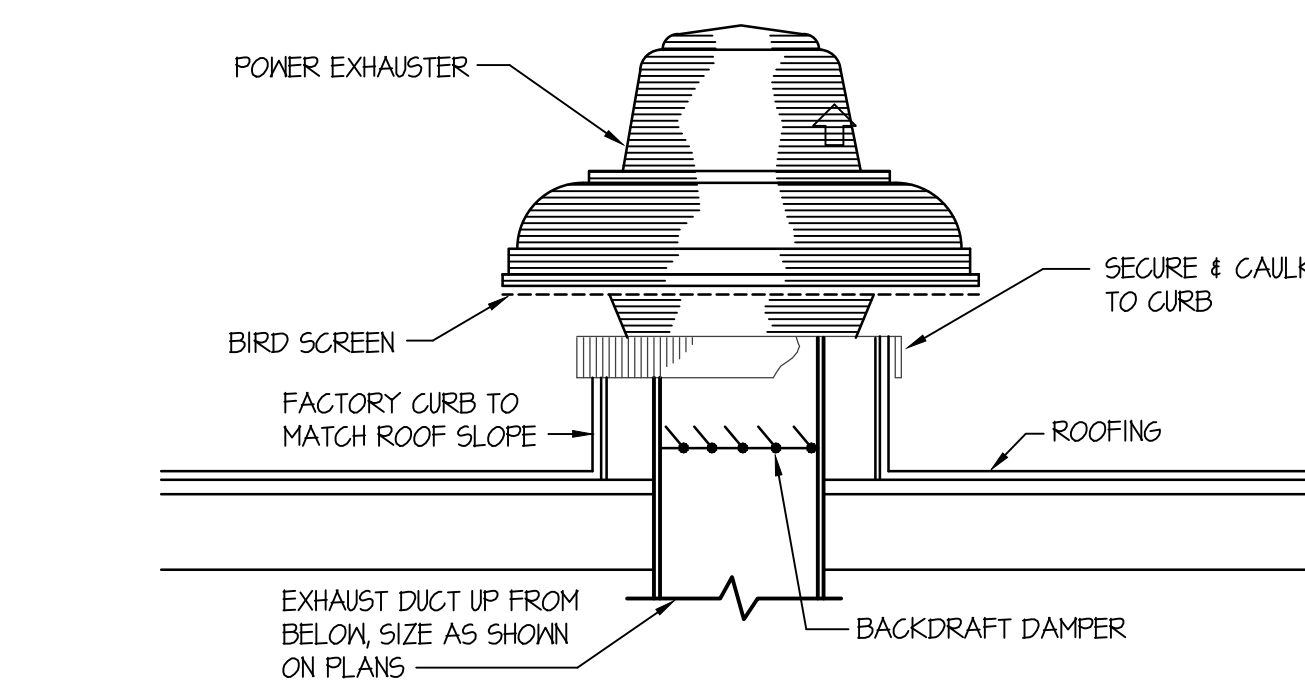
GAS LINE CONNECTION DETAIL
NO SCALE



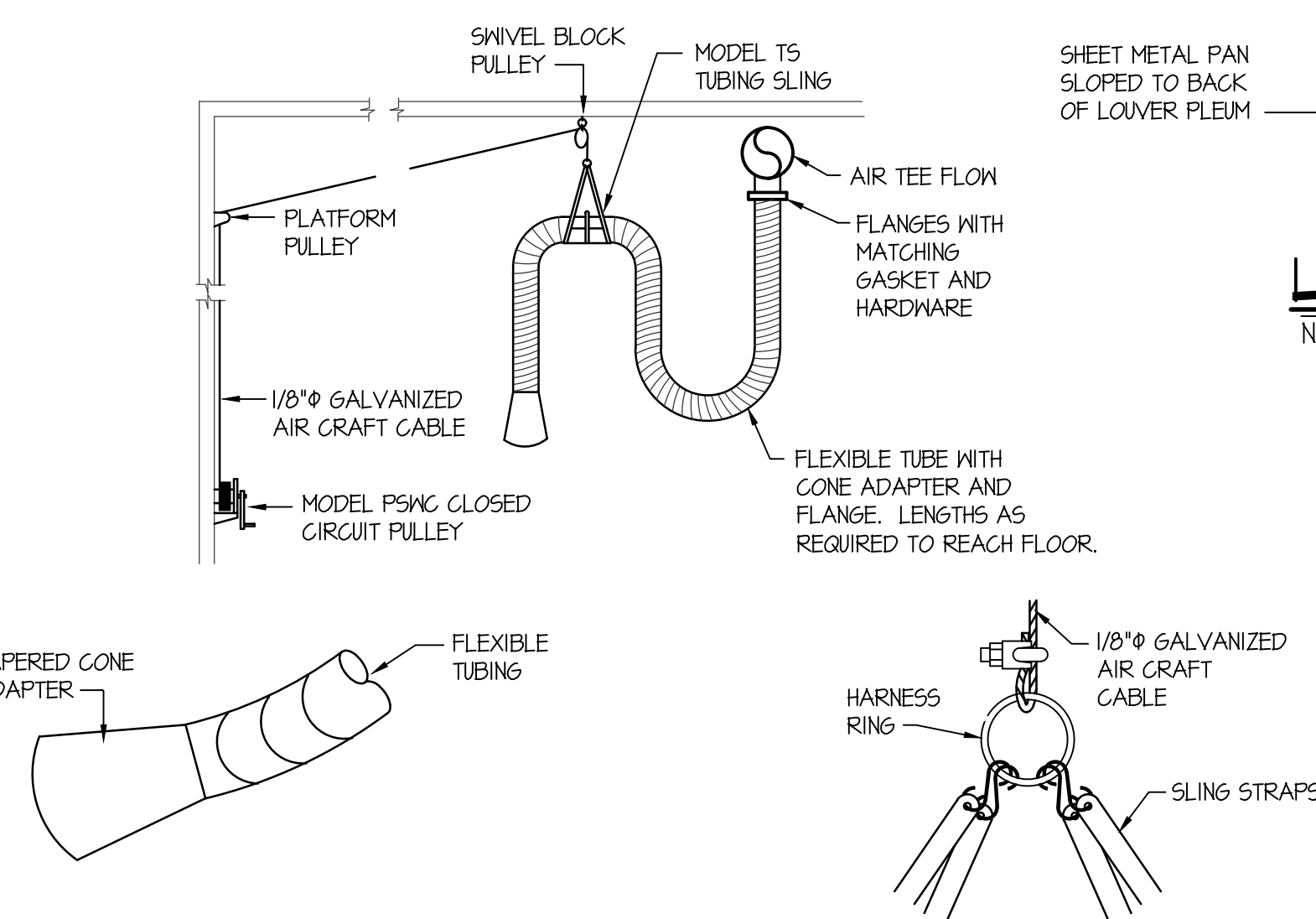
TYPICAL ROOFTOP MOUNTING DETAIL
NO SCALE



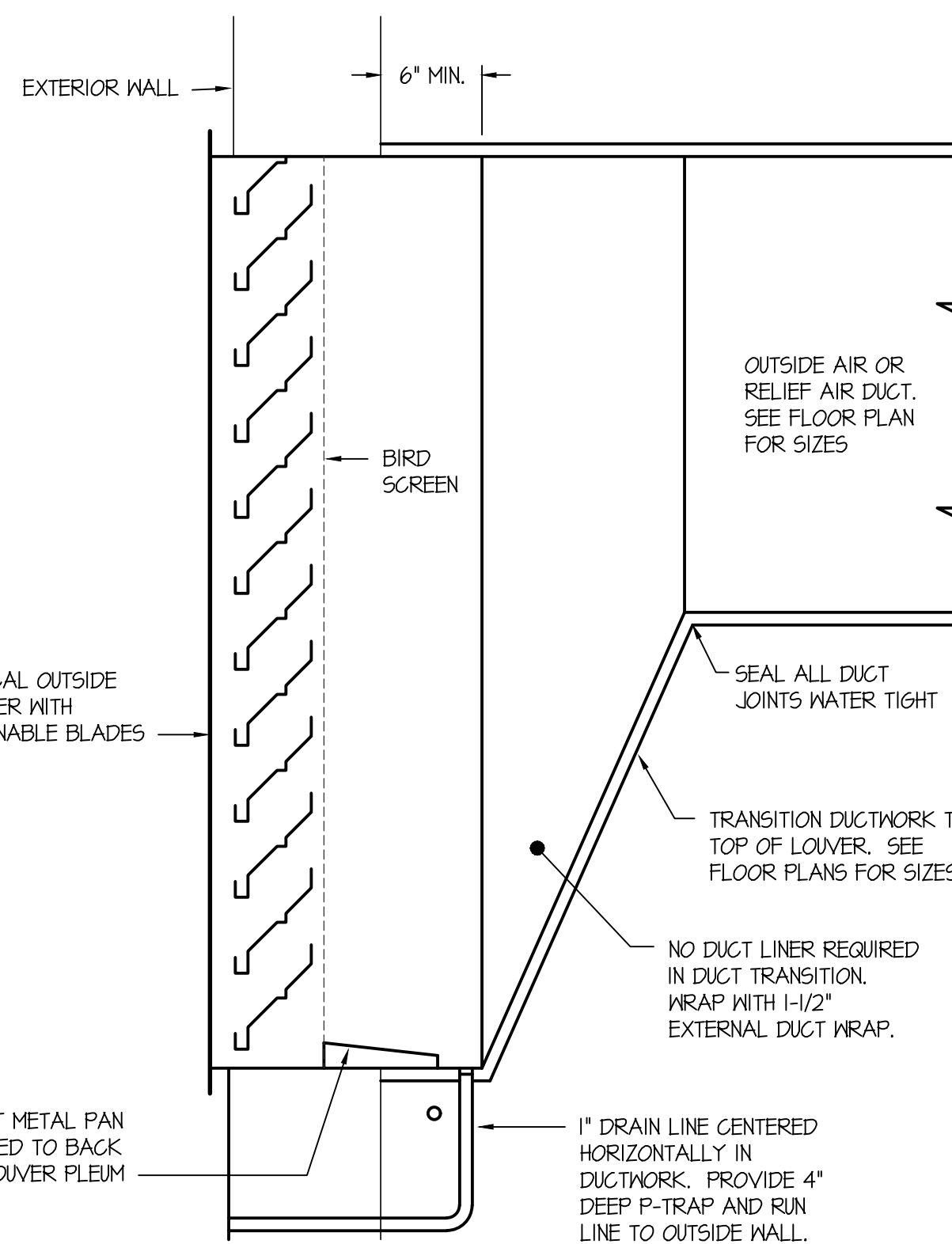
DIFFUSER PLENUM DETAIL
NO SCALE



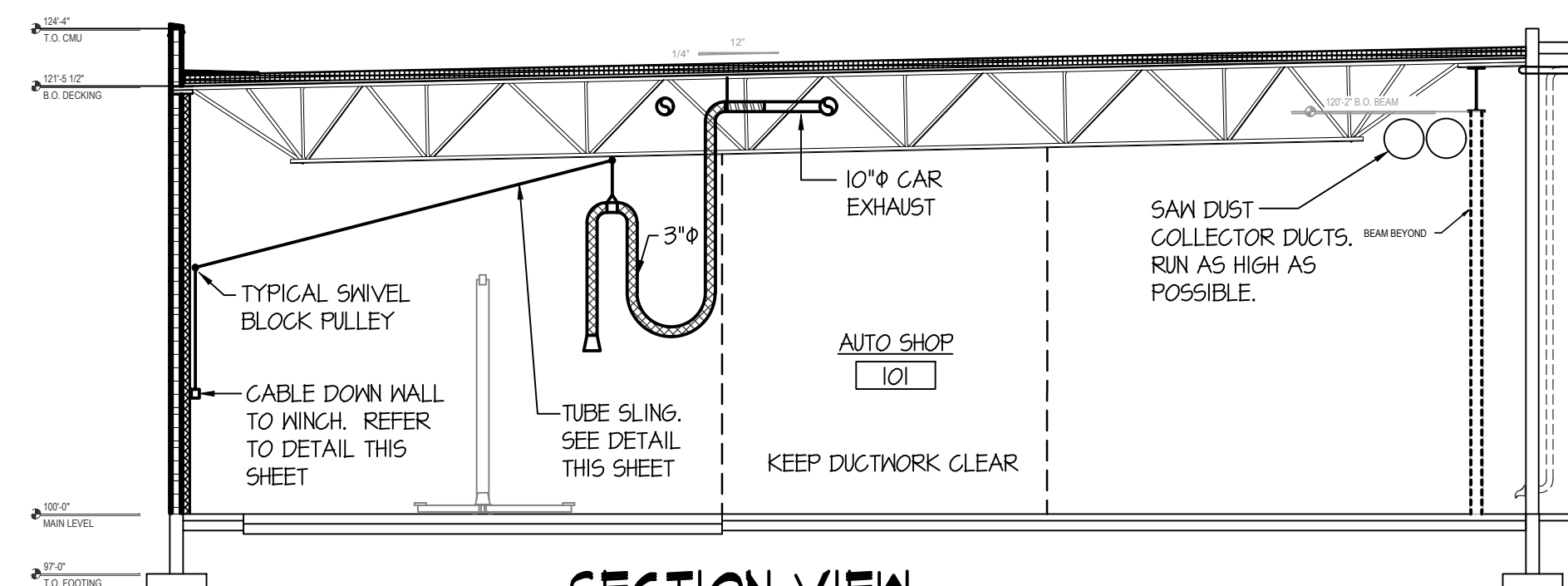
ROOF TOP EXHAUST FAN DETAIL
NO SCALE



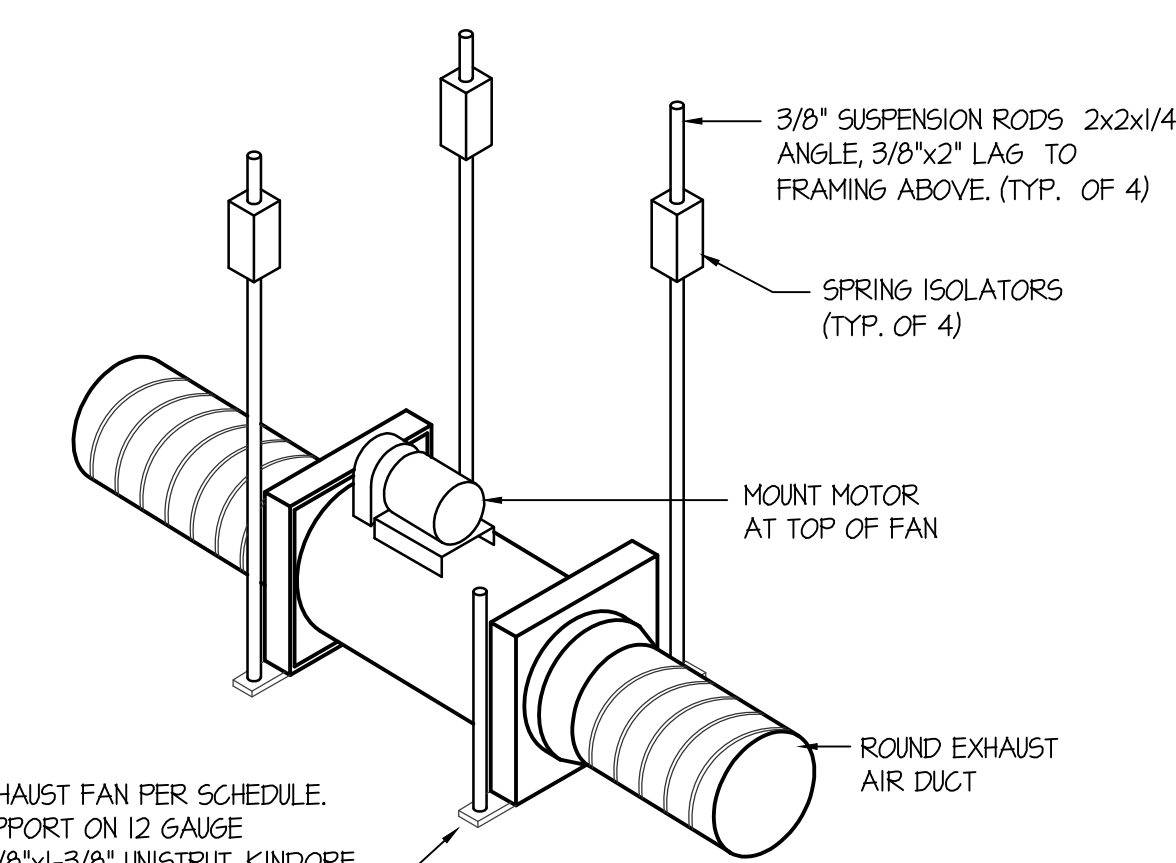
CABLE ATTACHMENT DETAILS
CAR EXHAUST SYSTEM DETAILS
NO SCALE



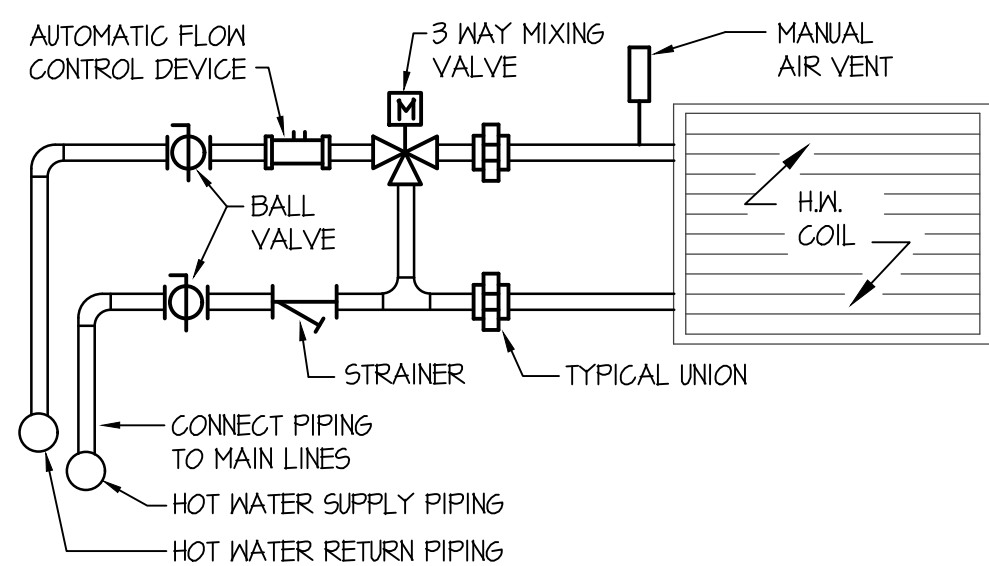
LOUVER DRAINAGE DETAIL
NO SCALE



SECTION VIEW
SCALE: 1/8" = 1'-0"



IN-LINE EXHAUST FAN DETAIL
NO SCALE



HOT WATER COIL PIPING DIAGRAM
NO SCALE

nw architects p.a.
ARCHITECTURE PLANNING INTERIORS
SCOTT L. NELSON, A.I.A. KEVIN R. BOBILY, A.I.A. JAMES H. WYATT, A.I.A.
900 JOHN WILKS PARKWAY, P.O. BOX 2072 - HONOLULU, HAWAII 96802-2272
(P) 208-532-8779 (F) 208-532-8765 (W) nwarchitects.com

TECHNICAL CAREER CENTER FOR:
STAR VALLEY HIGH SCHOOL
LINCOLN COUNTY SCHOOL DISTRICT NO. 2
445 SWIFT CREEK LANE, AFTON, WYOMING 83110

PROJECT NO. 16061
DATE: MARCH 2019
DRAWN BY: T. DRAVIS
CHECKED BY: D. SUDWEEKS
DRAWING NO.:

ORIGINAL DRAWING SIGNED BY: DWAYNE C. SUDWEEKS
DATE ORIGINAL SIGNED: Jan 25, 2019
ORIGINAL ON FILE AT ENGINEERED SYSTEMS ASSOCIATES
1355 EAST CENTER, POCATELLO, IDAHO 83201

Engineered Systems Associates
1355 EAST CENTER
POCATELLO, IDAHO 83201
PHONE: (208) 233-0501
FAX: (208) 233-0529
EMAIL: esa@engsystems.com
ESA JOB NUMBER: 16082

M2.0

3/7/2019 3:49:34 PM F:\16\16082_SVHS_Shop_Addn\MAIN.dwg